



MODEL: 6FT x 32in
WEIGHT: 1675 LBS
MATERIAL: RECYCLED CRUMB RUBBER

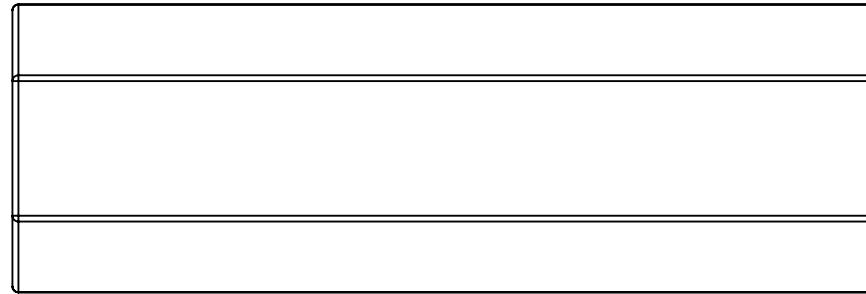
STANDARD COLORS:

- MIDNIGHT BLACK
- HUNTER GREEN
- FOREST BROWN
- BROWN BEIGE

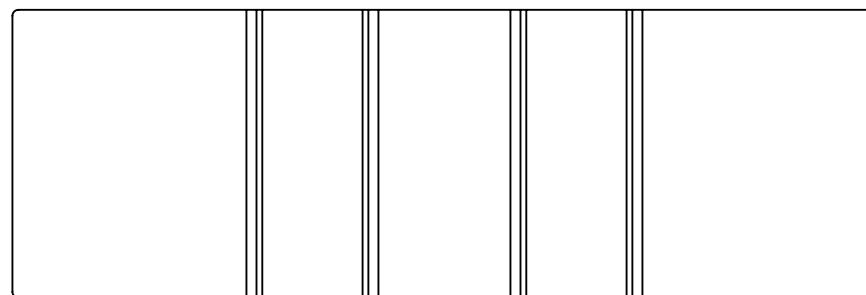
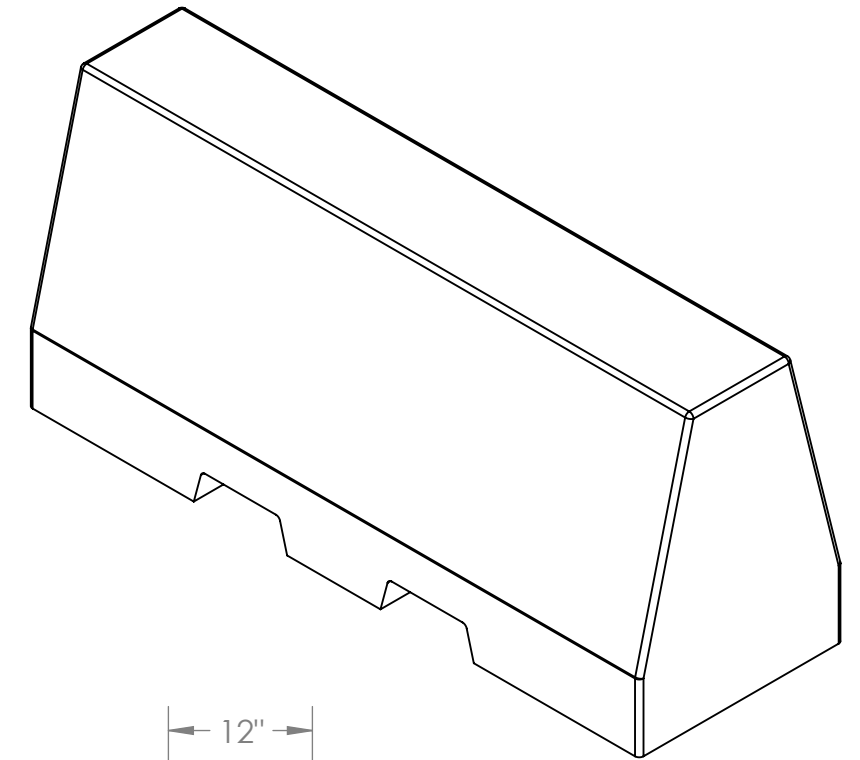
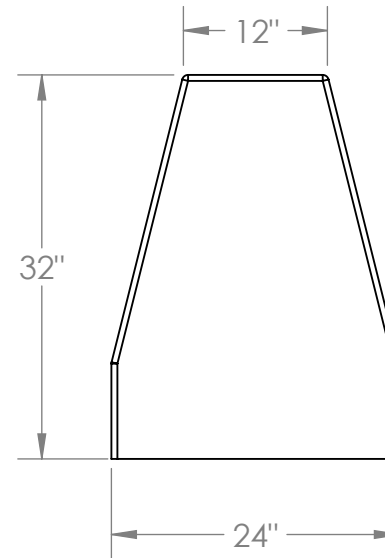
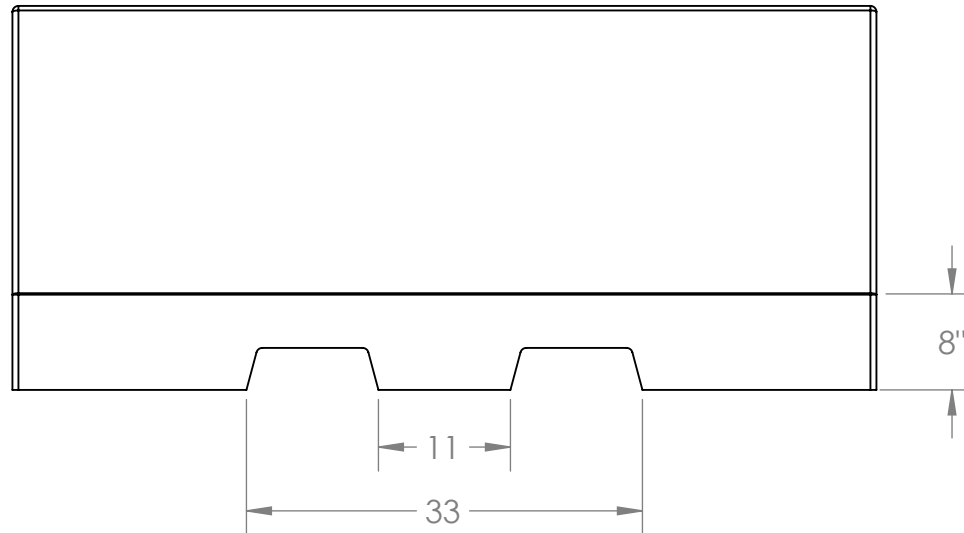
AVAILABLE OPTIONS:

- MOUNTED REFLECTORS
(VARIOUS COLORS AND SIZES)
- EXTERIOR SAFETY PAINT
(VARIOUS COLORS AND PATTERNS)

DENSE AND DURABLE
LONG LASTING COLOR
ENVIRONMENTALLY FRIENDLY
MOVEABLE WITH FORKLIFT
EASY TO TRANSPORT AND RELOCATE



TOP VIEW



BOTTOM VIEW

GREEN CIRCLE CERTIFICATION
LEACHATE/UV TESTED TO EPA 1311, SW846-351, SW846-827OD