



MODEL: 6FT x 30in
WEIGHT: 1500 LBS
MATERIAL: RECYCLED CRUMB RUBBER

STANDARD COLORS:

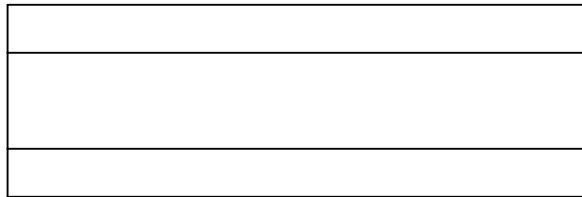
- MIDNIGHT BLACK
- HUNTER GREEN
- FOREST BROWN
- BROWN BEIGE

AVAILABLE OPTIONS:

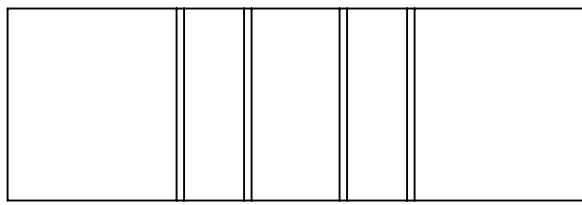
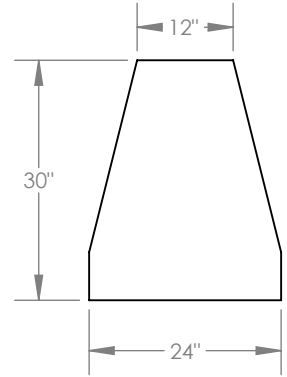
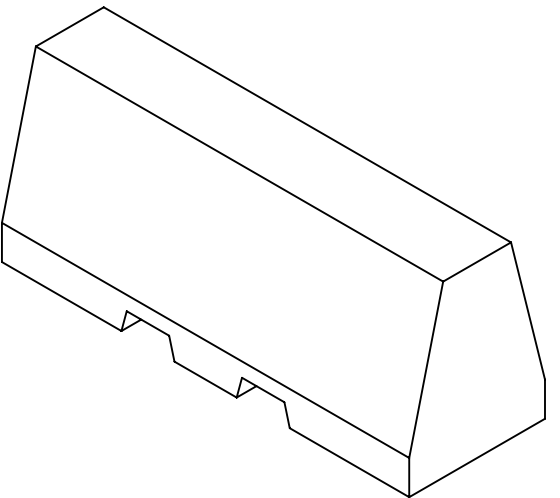
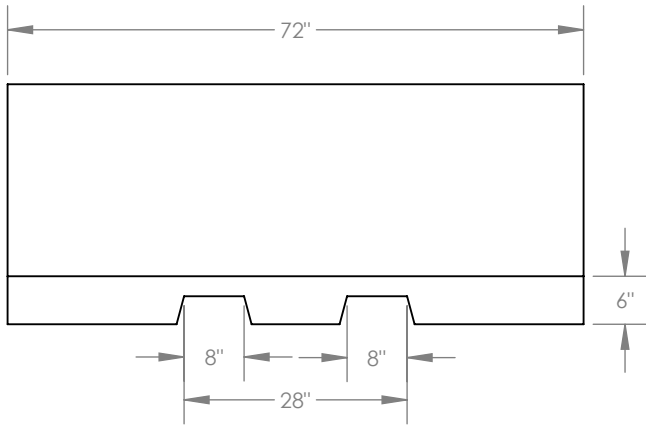
- MOUNTED REFLECTORS
(VARIOUS COLORS AND SIZES)
- EXTERIOR SAFETY PAINT
(VARIOUS COLORS AND PATTERNS)

DENSE AND DURABLE
LONG LASTING COLOR
ENVIRONMENTALLY FRIENDLY
MOVEABLE WITH FORKLIFT
EASY TO TRANSPORT AND RELOCATE

GREEN CIRCLE CERTIFICATION
LEACHATE/UV TESTED TO EPA 1311, SW846-351, SW846-827OD



TOP VIEW



BOTTOM VIEW